

REPLACEMENT PARTS FOR UNIT HEATERS

MODELS APD AND UDAP: STANDARD POWER VENT FAN TYPE
MODEL UDBP: STANDARD POWER VENT BLOWER TYPE
MODEL UDAS: SEPARATED COMBUSTION FAN TYPE
MODEL UDBS: SEPARATED COMBUSTION BLOWER TYPE



TABLE OF CONTENTS

WARRANTY (ALL MODELS)	2
REFERENCES	2
RATING PLATE	2
SERIAL NUMBERS	3
ELECTRICAL COMPONENTS	4
BLOWER COMPONENTS	13
CABINET COMPONENTS	22
VENTER AND FLUE WRAPPER COMPONENTS	25
HEAT EXCHANGER AND BURNER ASSEMBLY COMPONENTS	28
VENTING AND COMBUSTION AIR KIT COMPONENTS (MODELS UDAS AND UDBS)	31
ACCESSORIES/OPTIONS	33
THERMOSTATS AND THERMOSTAT ACCESSORIES	39

IMPORTANT

1. Always include complete model and serial number so that any specification change can be considered for parts replacement. It can save time and expense.
2. In keeping with our policy of continuous product improvement, we reserve the right to alter any information shown here. Specifications are subject to change without notice.
3. We reserve the right to substitute functional replacements.
4. Order by Part Number (PN) not by option designation.

Downturn Nozzle Assembly

The downturn nozzle assembly (see [Figure 15](#)) is the same as option CD2, CD3, CD4, or CD5. Assemblies and their components are listed in [Table 26](#).

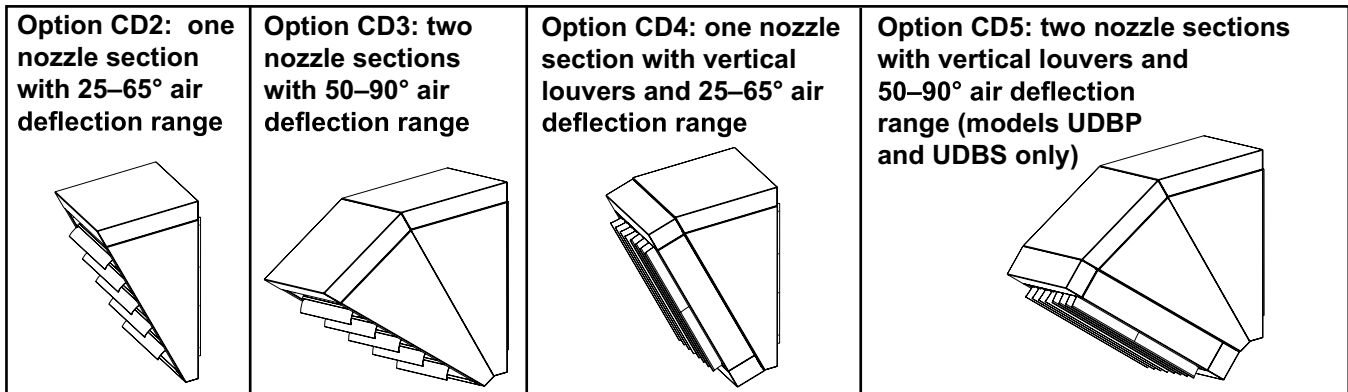


Figure 15. Downturn Nozzle Assemblies

Table 26. Downturn Nozzle Assembly Components							
Option	Component	Unit Size					
		030 & 045	060 & 075	100 & 125	150–200	225 & 250	300–400
PN (Quantity)							
CD2, CD3, CD4, CD5 (common components included with each)	Nozzle section right side	196990 (1)*	196991 (1)*	196992 (1)*	197173 (1)*	197174 (1)*	197175 (1)*
		196990 (2)**	196991 (2)**	196992 (2)**	197173 (2)**	197174 (2)**	197175 (2)**
	Nozzle section left side	196993 (1)*	196994 (1)*	196995 (1)*	197176 (1)*	197177 (1)*	197178 (1)*
		196993 (2)**	196994 (2)**	196995 (2)**	197176 (2)**	197177 (2)**	197178 (2)**
	Nozzle section top	196987 (1)*	196988 (1)*	196989 (1)*	197170 (1)*	197171 (1)*	197172 (1)*
	Nozzle bracket	—			201708 (2)		201709 (2)
	Nozzle section bottom	196996 (1)*		196997 (1)*		—*	197179 (1)*
Screw, #8-18 x 3/8 long, AB point, slotted/indented/serrated hex washer head	196996 (2)**		196997 (2)**		197179 (2)**		
	195638 (14)*			195638 (16)*			
195638 (28)**			195638 (30)**				
CD2	Assembly package (comprised of common components listed above)	197103 (1)	197104 (1)	197105 (1)	201202 (1)	201203 (1)	201204 (1)
CD3		197111 (1)	197112 (1)	197113 (1)	201205 (1)	201206 (1)	201207 (1)
CD4	Assembly package	197114 (1)	197115 (1)	197116 (1)	201208 (1)	201209 (1)	201210 (1)
	Vertical louver	196232 (5)	196231 (5)	196233 (5)	196572 (8)	196573 (8)	195315 (8)
	Compression spring	195046 (5)	195046 (5)	195046 (5)	195046 (8)	195046 (8)	195046 (8)
	Louver top and bottom support	197056 (2)			197189 (2)		197190 (2)
	Louver frame side	197057 (2)	197058 (2)	197059 (2)	197186 (2)	197187 (2)	197188 (2)
	Screw, #8-18 x 3/8 long, AB point, slotted/indented/serrated hex washer head	195638 (20)					
CD5	Assembly package	202094 (1)	202095 (1)	202096 (1)	202097 (1)	202098 (1)	202099 (1)
	Vertical louver	196232 (5)	196231 (5)	196233 (5)	196572 (8)	196573 (8)	195315 (8)
	Compression spring	195046 (8)					
	Louver top and bottom support	197056 (2)			197189 (2)		197190 (2)
	Louver frame side	197057 (2)	197058 (2)	197059 (2)	197186 (2)	197187 (2)	197188 (2)
	Screw, #8-18 x 3/8 long, AB point, slotted/indented/serrated hex washer head	195638 (22)					
*CD2 and CD4 components.							
**CD3 and CD5 components.							